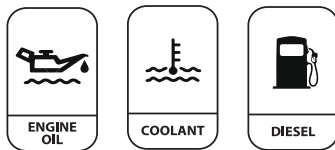


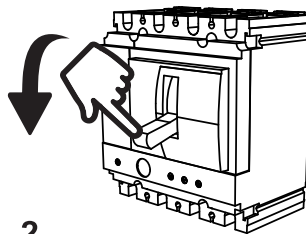
TecnoGen POWER GENERATORS **START UP GUIDE**

PRELIMINARY OPERATIONS (WITH GENSET IN OFF MODE)

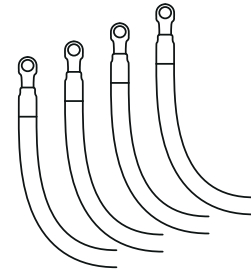
- 1 - Check the engine liquids level: (Engine oil, Coolant and Diesel)
- 2 - Make sure that the Main Circuit Breaker is in the OFF position.
- 3 - Be sure to connect all the necessary receptacles or plugs (including Cam-Locks and Busbar)
- 4 - Make sure that the battery is connected. ALWAYS connect the positive (+) terminal first, and the negative (-) afterwards.
- 5 - Set the Battery Isolator Switch in the ON position.
- 6 - Select the proper voltage through the voltage selector.
- 7 - Close all the doors (otherwise the genset will not start).
- 8 - Make sure that the Emergency Stop button is not activated.
- 9 - Press the Supply power button (yellow on the Control Panel) to supply the Control Panel (when available).



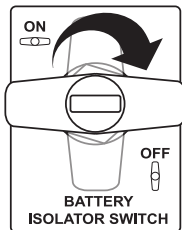
1.



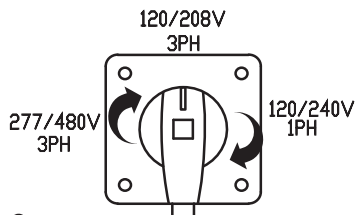
2.



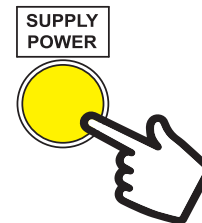
3.



5.



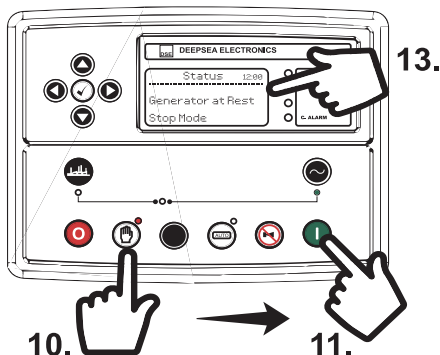
6.



9.

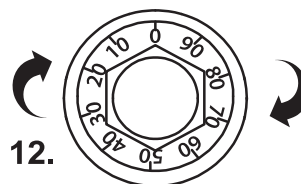
STARTUP PROCEDURE - MANUAL MODE

- 10 - Select the MANUAL operation Mode.
- 11 - Press the green starting button. Generator will start within few seconds.
- 12 - Adjust the correct nominal voltage with the potentiometer on the Control Panel.
- 13 - Check the correct voltage on the DSE display.
- 14 - Set the Main Circuit Breaker in the ON position to get the electrical power.

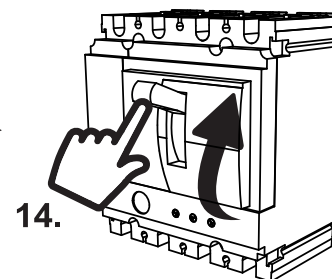


10.

11.



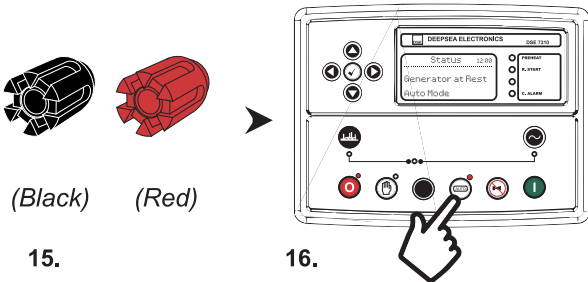
12.



14.

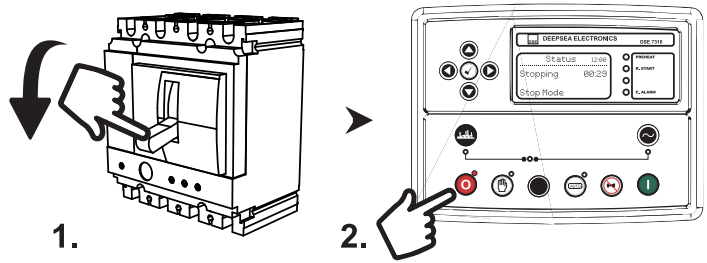
REMOTE CONTROL IN AUTO MODE -----

- Repeat the preliminary operations and the Manual mode procedures.
- 15 - Connect the cable for the external signal to the terminal posts on the Control Panel.
- 16 - Select the AUTO Mode on the DSE.

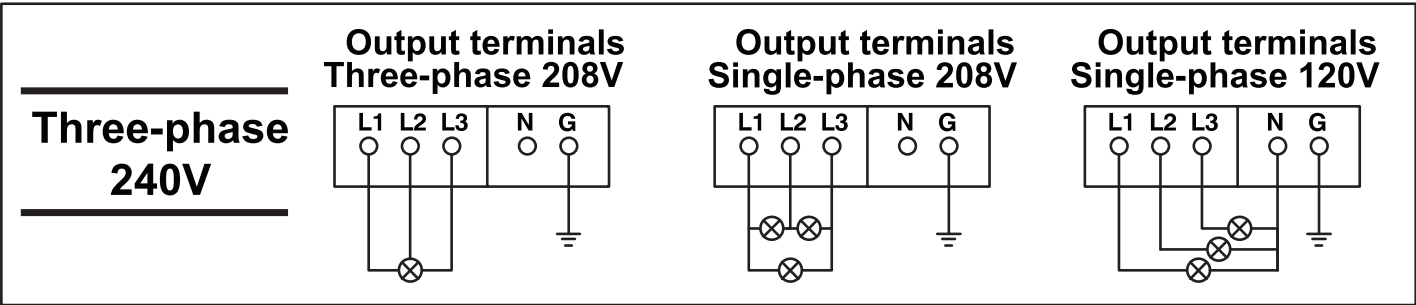
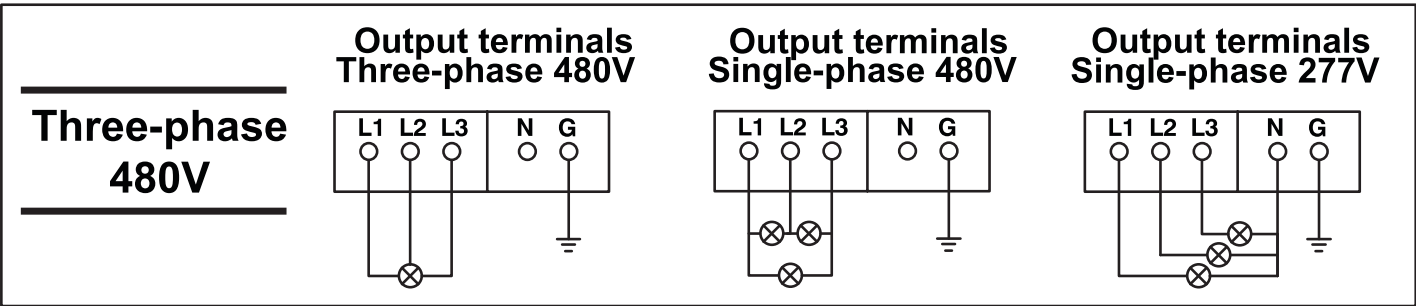


SWITCH OFF THE GENSET-----

- 1 - Switch OFF the Main Switch.
- 2 - Press the Stop button to turn off the generating set.
- 3 - Set the Battery Isolator Switch in the OFF position.



EMERGENCY STOP Use the Emergency Stop button only in case of danger. Use the standard Switch Off procedure to turn off the Genset, to avoid possible damages.



WARNING In case of Single-phase use, DO NOT connect the L2 line.

	Output terminals Single-phase 240V	Output terminals Single-phase 120V